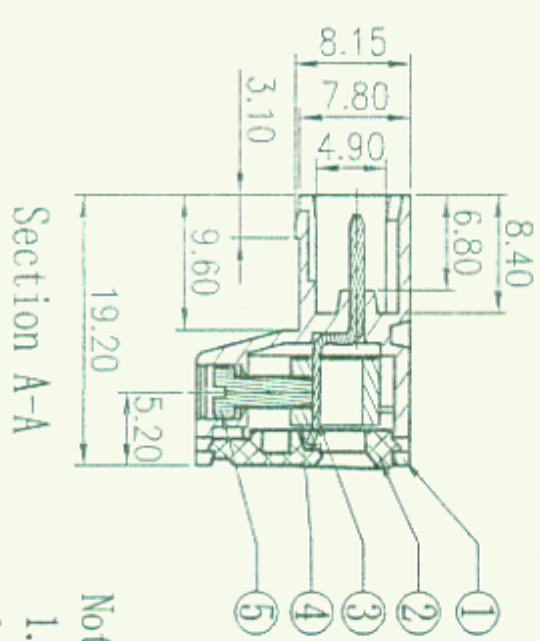
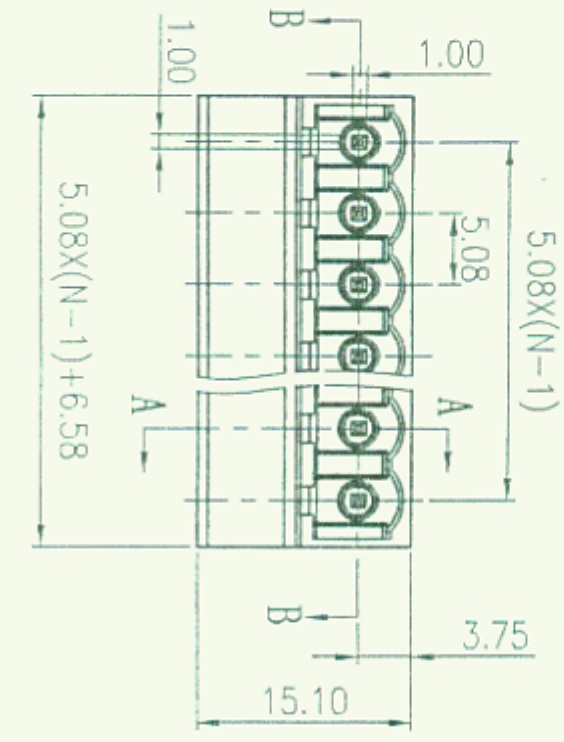
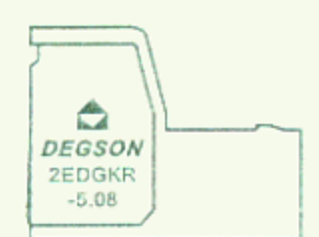
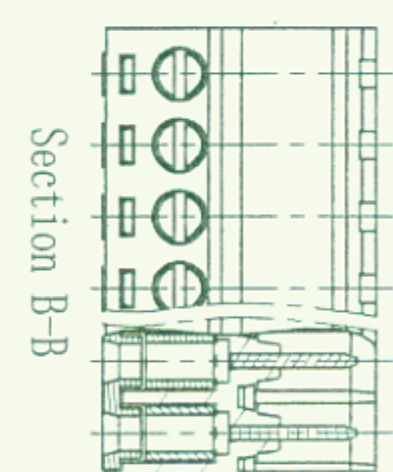
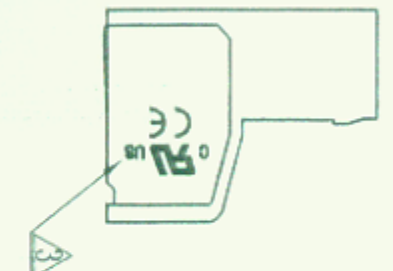
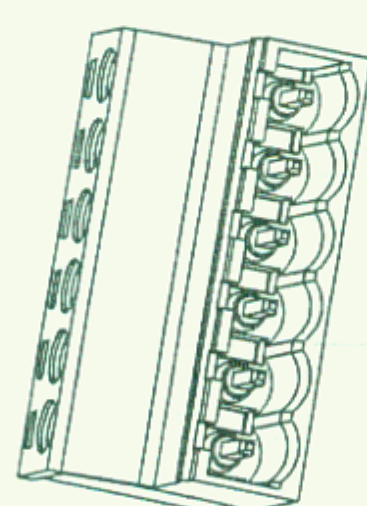


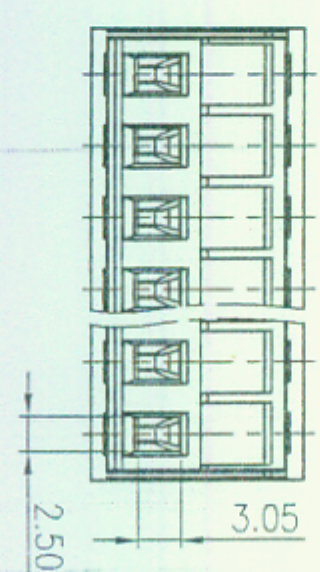
REV	ECO	DESCRIPTION	DRFT	DATE
△		图面整理	APL	04/07/08
△		修改参数	LJH	09/30/08
△		增加U1刻字	WLM	11/12/08



- Notes:
1. Pitch: 5.08mm, Poles: 2-24P
 2. Rated voltage/current: UL 300V/15A IEC 320V/20A
 3. Operation temperatures: -40°C ~ +105°C
 4. Withstanding Voltage: AC2000V/1Min
 5. Insulation Resistance: 5000MΩ/DC1000V
 6. Wire Range: 28~12AWG, 2.5mm²
 7. Max. Torque Value: M2.5, 4.08Kgf.cm
 8. Undimensioned Tolerances:



Pitch range in mm	Nominal dimension range in mm	—
over 6	over 10	over 30
to 10	to 24	to 60
to 15	to 30	to 100
to 20	to 40	to 150
to 25	to 50	to 200
to 30	to 60	to 300
to 35	to 70	to 400
to 40	to 80	to 500
to 45	to 90	to 600
to 50	to 100	to 700
to 55	to 110	to 800
to 60	to 120	to 900
to 65	to 130	to 1000
to 70	to 140	to 1100
to 75	to 150	to 1200
to 80	to 160	to 1300
to 85	to 170	to 1400
to 90	to 180	to 1500
to 95	to 190	to 1600
to 100	to 200	to 1700
to 105	to 210	to 1800
to 110	to 220	to 1900
to 115	to 230	to 2000
to 120	to 240	to 2100
to 125	to 250	to 2200
to 130	to 260	to 2300
to 135	to 270	to 2400
to 140	to 280	to 2500
to 145	to 290	to 2600
to 150	to 300	to 2700
to 155	to 310	to 2800
to 160	to 320	to 2900
to 165	to 330	to 3000
to 170	to 340	to 3100
to 175	to 350	to 3200
to 180	to 360	to 3300
to 185	to 370	to 3400
to 190	to 380	to 3500
to 195	to 390	to 3600
to 200	to 400	to 3700
to 205	to 410	to 3800
to 210	to 420	to 3900
to 215	to 430	to 4000
to 220	to 440	to 4100
to 225	to 450	to 4200
to 230	to 460	to 4300
to 235	to 470	to 4400
to 240	to 480	to 4500
to 245	to 490	to 4600
to 250	to 500	to 4700
to 255	to 510	to 4800
to 260	to 520	to 4900
to 265	to 530	to 5000
to 270	to 540	to 5100
to 275	to 550	to 5200
to 280	to 560	to 5300
to 285	to 570	to 5400
to 290	to 580	to 5500
to 295	to 590	to 5600
to 300	to 600	to 5700
to 305	to 610	to 5800
to 310	to 620	to 5900
to 315	to 630	to 6000
to 320	to 640	to 6100
to 325	to 650	to 6200
to 330	to 660	to 6300
to 335	to 670	to 6400
to 340	to 680	to 6500
to 345	to 690	to 6600
to 350	to 700	to 6700
to 355	to 710	to 6800
to 360	to 720	to 6900
to 365	to 730	to 7000
to 370	to 740	to 7100
to 375	to 750	to 7200
to 380	to 760	to 7300
to 385	to 770	to 7400
to 390	to 780	to 7500
to 395	to 790	to 7600
to 400	to 800	to 7700
to 405	to 810	to 7800
to 410	to 820	to 7900
to 415	to 830	to 8000
to 420	to 840	to 8100
to 425	to 850	to 8200
to 430	to 860	to 8300
to 435	to 870	to 8400
to 440	to 880	to 8500
to 445	to 890	to 8600
to 450	to 900	to 8700
to 455	to 910	to 8800
to 460	to 920	to 8900
to 465	to 930	to 9000
to 470	to 940	to 9100
to 475	to 950	to 9200
to 480	to 960	to 9300
to 485	to 970	to 9400
to 490	to 980	to 9500
to 495	to 990	to 9600
to 500	to 1000	to 9700



5	2EDG	—	Screws-M2.5	Steel	XX
4	DG128	Brass cage	X000000020(H)	Brass	XX
3	2EDGKR-Pin		1159B00010(H)	Copper	XX

ITEM	NAME OF PART	NO. OF PART	Q'TY	MATERIAL	NOTES
1	2EDGKR-5.08-Housing	1	1	PA66	UL94V-0
2	2EDGK-5.08-Cover	1	1	PA66	UL94V-0

DEGSON	宁波高正电子有限公司
DEGSON	DEGSON ELECTRONICS CO., LTD
NAME	2EDGKR-5.08-XXP-1Y-00A(H)
DRAWING NO.	2EDGKR-5.08-E01
SCALE	1:1
DO NOT SCALE DRAWING	
SHEET	1 OF 1